

LOOP GLASS PUSH PLATE

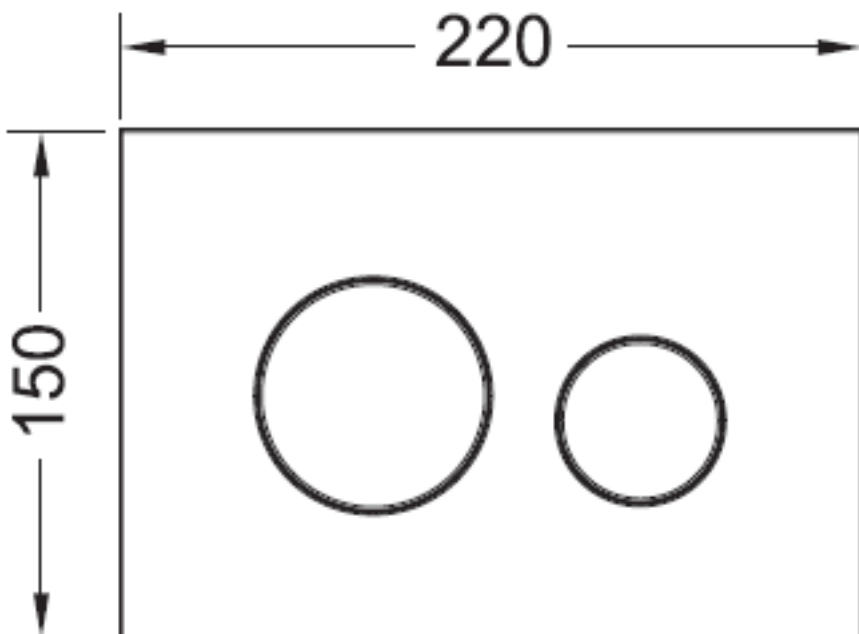
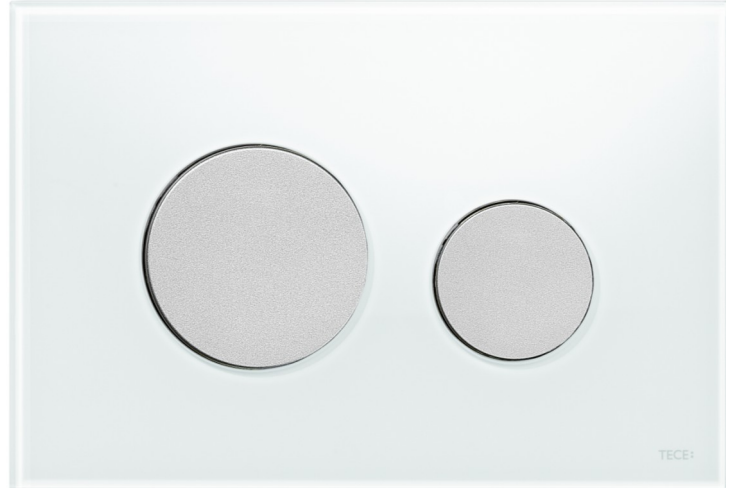
(9.240.659 - White/Matte)

TECE
close to you

Suitable for use with all TECE Cisterns

Sheeting Requirements (Prior to tiling):
Standard Mount - 18mm non flex board
Flush Mount - 25mm non flex board

Note:
Flush mounting requires
TECE Flush Mount Kit which is sold separately
White - 9.240.646
Black - 9.240.647
Chrome - 9.240.649



Proudly imported and distributed by
Gro Agencies Pty Ltd
Unit 2 / 37 Howe St, Osborne Park, WA, 6017
P 08 9446 3288 E info@groagencies.com.au W www.groagencies.com.au

gro
agencies